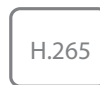


HNC5V161E-IR-ZE/735

6MP WDR IR Bullet Network Camera



- 1/2.9" 6Megapixel progressive scan STARVIS™ CMOS
- H.265&H.264 dual-stream encoding
- 20fps@6M(3072×2048),25/30fps@4M(2688×1520)
- Day/Night(ICR), 3DNR, AWB, AGC, BLC
- Multiple network monitoring: Web viewer, CMS(DSS/PSS) & DMSS
- 7mm ~35mm 5x zoom lens
- 2/1 Alarm in/out, 1/1 audio in/out
- Max. IR LEDs Length 100m
- Micro SD memory, IP67, IK10, PoE



System Overview

With upgraded H.265 encoding technology, Eco-savvy series brings high efficient video compression capability. It can save bandwidth and storage. Meanwhile, the series features starlight, smart IR technology and intelligent image analysis techniques. This series supports reminder function, meanwhile fully protected from dust and water, certified to IP67 and vandal resistant to IK10 standard.

Functions

ePoE technology

The ePoE technology of Dahua, designed internally, adopts advanced 2D-PAM3 coding modulation from physical layer, and realizes full duplex transmission over 800 meters at the speed of 10Mbps, or 300 meters at the speed of 100Mbps via Cat 5 or coaxial cable media. Besides, it supports PoE and PoC power supply technology which has greatly simplified construction and wiring. Dahua ePoE technology offer a new way to accomplish long distance transmission between IP camera and network switch. It allows more flexible surveillance system design, improves reliability and saves construction and wiring cost.

Starlight Technology

For challenging low-light applications, Dahua's Starlight Ultra-low Light Technology offers best-in-class light sensitivity, capturing color details in low light down to 0.006lux. The camera uses a set of optical features to balance light throughout the scene, resulting in clear images in dark environments.

Wide Dynamic Range

The camera achieves vivid images, even in the most intense contrast lighting conditions, using industry-leading wide dynamic range (WDR) technology. For applications with both bright and low lighting conditions that change quickly, true WDR (120 dB) optimizes both the bright and dark areas of a scene at the same time to provide usable video.

Intelligent Video System (IVS)

IVS is a built-in video analytic algorithm that delivers intelligent functions to monitor a scene for Tripwire violations, intrusion detection, and abandoned or missing objects. A camera with IVS quickly and accurately responds to monitoring events in a specific area. In addition to scene analytics, the camera supports face detection to quickly capture a face and upload the image to a server. The camera also offers tamper detection by recognizing a dramatic scene change and generating a warning message to inspect the camera.

Protection(IP67, IK10, wide voltage)

The camera allows for $\pm 30\%$ input voltage tolerance, suitable for the most unstable conditions for outdoor applications. Its 6KV lightning rating provides effective protection for both the camera and its structure against lightning. Subjected and certified to rigorous dust and immersion tests (IP67) and impact tests (IK10), the camera is the choice for installation in even the most unforgiving environments.

Smart H.265+

Smart H.265+ is the optimized implementation of the H.265 codec that uses a scene-adaptive encoding strategy, dynamic GOP, dynamic ROI, flexible multi-frame reference structure and intelligent noise reduction to deliver high-quality video without straining the network. Smart H.265+ technology reduces bit rate and storage requirements by up to 70% when compared to standard H.265 video compression.

Technical Specification						Day/Night	
Camera						Auto(ICR) / Color / B/W	
Image Sensor						BLC Mode	
1/2.9" 6Megapixel progressive scan CMOS						BLC / HLC / WDR	
Effective Pixels						White Balance	
3072(H)x2048(V)						Auto/Natural/Street Lamp/Outdoor/Manual	
RAM/ROM						Gain Control	
512MB/32MB						Auto/Manual	
Scanning System						Noise Reduction	
Progressive						3D DNR	
Electronic Shutter Speed						Motion Detetion	
Auto/Manual, 1/3~1/100000s						Off / On (4 Zone, Rectangle)	
Minimum Illumination						Region of Interest	
0.03Lux/F1.4 (Color,1/3s,30IRE) 0.3Lux/F1.4 (Color,1/30s,30IRE) 0Lux/F1.4(IR on)						Off / On (4 Zone)	
S/N Ratio						Electronic Image Stabilization (EIS)	
More than 50dB						N/A	
IR Distance						Smart IR	
Distance up to 100m (328ft)						Support	
IR On/Off Control						Defog	
Auto/ Manual						N/A	
IR LEDs						Digital Zoom	
4						16x	
Lens						Flip	
Lens Type						0°/90°/180°/270°	
Motorized/ Auto Iris(HALL)						Mirror	
Mount Type						Off / On	
Board-in						Privacy Masking	
Focal Length						Off / On (4 Area, Rectangle)	
7mm~35mm						Audio	
Max. Aperture						Compression	
F1.4						G.711a/ G.711Mu/ AAC/ G.726	
Angle of View						Network	
H:32°~10° , V:22°~8°						Ethernet	
Optical Zoom						RJ-45 (10/100Base-T)	
5x						Protocol	
Focus Control						HTTP; HTTPS; TCP; ARP; RTSP; RTP; UDP; SMTP; FTP; DHCP; DNS; DDNS; PPPOE; IPv4/v6; QoS; UPnP;NTP; Bonjour; 802.1x; Multicast; ICMP; IGMP; SNMP	
Motorized						Interoperability	
Close Focus Distance						ONVIF, PSIA, CGI	
0.6m						Streaming Method	
DORI Distance						Unicast / Multicast	
Lens						Max. User Access	
Detect						10 Users /20 Users	
Observe						Edge Storage	
Recognize						NAS Local PC for instant recording Mirco SD card 128GB	
Identify						Web Viewer	
234m(767ft)						IE, Chrome, Firefox, Safari	
94m(308ft)						Management Software	
47m(154ft)						Smart PSS, DSS, Easy4ip	
23m(75ft)						Smart Phone	
765m(2509ft)						IOS, Android	
306m(1004ft)						Certifications	
153m(502ft)						CE (EN 60950:2000) UL:UL60950-1 FCC: FCC Part 15 Subpart B	
76m(251ft)						Interface	
Pan/Tilt/Rotation						Video Interface	
Pan/Tilt/Rotation Range						1 Port(For adjustment only)	
Pan:0°~360°; Tilt:0°~90°; Rotation:0°~360°						Audio Interface	
Intelligence						1/1 channel In/Out	
IVS						RS485	
Tripwire, Intrusion, Object Abandoned/Missing						N/A	
Advanced Intelligent Functions						Alarm	
Face Detection						2/1 channel In/Out2 channel In: 5mA 5VDC 1 channel Out: 300mA 12VDC	
Video						Electrical	
Compression						Power Supply	
H.265+/H.265/H.264+/H.264						DC12V, PoE (802.3af)(Class 0)	
Streaming Capability						Power Consumption	
3 Streams						<12.95W	
Resolution							
6M(3072x2048)/5M(3072x1728)/ 5M(2592x1944)/ 4M(2688x1520)/ 3M(2048x1536)/ 3M(2304x1296)/ 1080P(1920x1080)/1.3M(1280x960)/ 720P(1280x720)/ D1(704x576/704x480)/ VGA(640x480)/ CIF(352x288/352x240)							
Frame Rate							
Main Stream: 6M(1~20fps)/4M(1~25/30fps)							
Sub Stream: D1(1~25/30fps)							
Third Stream: 720P(1~25/30fps)							
Bit Rate Control							
CBR/VBR							
Bit Rate							
H.264: 24K ~ 10240Kbps							
H.265: 14K ~ 9984Kbps							

Environmental

Operating Conditions	-30° C ~ +60° C (-22° F ~ +140° F) / Less than 95% RH
Storage Conditions	-30° C ~ +60° C (-22° F ~ +140° F) / Less than 95% RH
Ingress Protection	IP67
Vandal Resistance	IK10

Construction

Casing	Metal
Dimensions	273.2mm×95.0mm×95.0mm (10.76"×3.74"×3.74")
Net Weight	1.11Kg (2.44lb)
Gross Weight	1.51Kg (3.33lb)

Accessories

Optional:



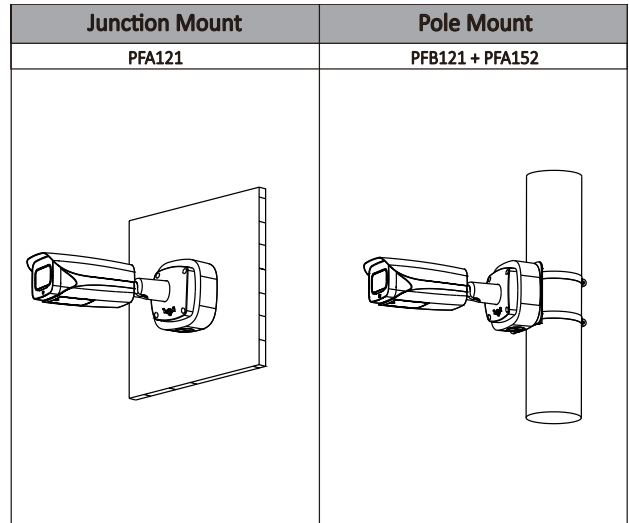
PFA121
Junction box



PFA152-E
Pole Mount



LR1002
ePoE Over Coax Converter



Dimensions (mm/inch)

